



The new degree of comfort.®

Endeavor™ Line *Classic Plus*® Series Gas Furnaces



This product meets a stringent set of our internally defined sustainability standards



R962V

96% A.F.U.E.†

EcoNet® Enabled

Heating Stages: Two-Stage

Motor Type: Constant CFM

Input Rates: 40 to 115 kBTU [11.7 to 33.7 kW]

Configuration Options: 4-Way Multi-Position



† A.F.U.E. (Annual Fuel Utilization Efficiency) calculated in accordance with Department of Energy test procedures.

* The Bluetooth® word mark and logos are registered trademarks owned by Bluetooth SIG, Inc. and any use of such marks by Rheem® is under license. Other trademarks and trade names are those of their respective owners.

Table of Contents

| | |
|--|-----|
| Features & Benefits | 3 |
| Model Number Identification | 4 |
| Physical Data and Specifications | 5 |
| Dimensional Data | 6 |
| Blower Performance Data | 7 |
| Accessories | 8-9 |
| Limited Warranty | 12 |

Features and Benefits

- **PlusOne® Energy Efficiency:** ENERGY STAR® certified, featuring 96% AFUE across all model sizes
- **PlusOne® Diagnostics:** With the Rheem Contractor & EcoNet® Apps, built-in EcoNet® & Bluetooth®¹ technology makes monitoring, troubleshooting and repairing the product easier than ever before
- **Dip Switch Free Installation Commissioning via Bluetooth® Technology:** Seamless final install step without DIP switch configuration using the Rheem Contractor App
- **PlusOne® Ignition System:** Proven Direct Spark Ignition (DSI) for reliability and longevity
- **PlusOne® Water Management System:** Exclusive patented block drain sensor that automatically shuts off the furnace when the drain is blocked and alerts the contractor via diagnostic code
- **Two-Stage Heating:** Furnace operation mainly stays at low capacity around 60-65%, but will switch to high capacity to deliver stable heat distribution
- **Constant CFM Motor:** Truly variable speed technology allows for ultimate humidity control, quieter sound levels and year-round energy savings
- **Quieter Operation²:** A fully insulated blower cabinet, solid bottom and truly variable speed airflow technology makes this furnace one of the quieter options available
- **EcoNet® Enabled Furnace:** The latest in sensor technology and the EcoNet® monitoring system provides a new level of protection, control and energy savings
- **Allows on-the-go control** and receipt of system alerts by the homeowner via the EcoNet® Smart Thermostat and EcoNet® App³

¹ The Bluetooth® word mark and logos are registered trademarks owned by Bluetooth SIG, Inc. and any use of such marks by Rheem® is under license. Other trademarks and trade names are those of their respective owners.

² Based on manufacturer's furnace offering, and the product's heating stages, motor type and cabinet insulation. Sound levels are also dependent on furnace location and installation.

³ Wifi broadband internet connection required. Download the EcoNet® App from the App Store® or Google Play® to set up your EcoNet® Smart Thermostat. Receipt of notifications depend on home WiFi set up. Amazon, Alex and all related logos are trademarks of Amazon.com, Inc. or its affiliates.

Gas Furnaces

| <u>R</u> | <u>96</u> | <u>2</u> | <u>V</u> | <u>040</u> | <u>3</u> | <u>A</u> | <u>17</u> | <u>M4</u> | <u>S</u> | <u>C</u> | <u>A</u> | <u>P</u> |
|-----------|--------------------|-------------------|------------------------|--|------------------------------------|-----------------------|--|------------------|--------------|--|----------------|-------------------|
| Brand | Furnace Efficiency | Stages of Heating | Motor Type | Heating Input | AC Max. Capacity | Major Series | Width | Position | NOx | Controls | Minor Series | Option Code |
| R - Rheem | 96 - 96% AFUE | 2 - Two-Stage | V - ECM Variable Speed | 040 - 40,000 [11.7 kW] 060 - 60,000 [17.6 kW] 070 - 70,000 [20.5 kW] 075 - 75,000 [22.0 kW] 085 - 85,000 [24.9 kW] 100 - 100,000 [29.3 kW] 115 - 115,000 [33.7 kW] | 3 - 3 ton drive 5 - 5 ton drive | A - 1st Design Series | 17 - 17.5" Width 21 - 21" Width 24 - 24.5" Width | M4 - Multi-4 Way | S - Standard | C - Communicating, EcoNet®, Bluetooth® | A - 1st Series | P - Premium Grade |

[] Designates Metric Conversions

| AVAILABLE MODELS |
|--------------------|
| R962V0403A17M4SCAP |
| R962V0603A17M4SCAP |
| R962V0703A17M4SCAP |
| R962V0705A21M4SCAP |
| R962V0855A21M4SCAP |
| R962V1005A21M4SCAP |
| R962V1155A24M4SCAP |

WARNING
THIS FURNACE IS NOT APPROVED
OR RECOMMENDED
FOR USE IN MOBILE HOMES

| STANDARD EQUIPMENT | |
|--|---|
| Adjustable Humidifier On/Off Delay ¹ | Electronic On/Off Blower Time Control |
| Auxiliary Input Connection ¹ | Humidifier Connections |
| Condensate Switch Connection ¹ | Humidistat Terminal Connection |
| Outdoor Air Temperature Sensor Connection ¹ | Limit Controls |
| Supply Air Sensor Connection ¹ | Low Speed Continuous Fan Option |
| 100% Safety Lock Out | Manual Shut-Off Valve |
| 2 Stage Induced Draft Motor | Marked Condensate Hoses |
| 29-4C Stainless Steel Secondary Heat Exchanger Design | On Demand Dehumidifier Connection |
| Adjustable Cool Fan Off Delay | One Hour Automatic Retry |
| Aluminized Steel Primary Heat Exchanger Design | Power And Self Test Diagnostics |
| Blocked Drain Sensor | Pressure Switches |
| Blower Compartment Door Safety Switch | PWM Controlled Constant Torque Electrically Commutated Blower Motor |
| Bluetooth® Diagnostics | Redundant 2 Stage Main Gas Control |
| Bluetooth® Setup | Solid Bottom |
| Bluetooth® Setup And Diagnostics | Blower Insulation |
| Completely Assembled And Wired | Two Plus Stage Cooling Thermostat Connection ² |
| Direct Drive Motor | Fully Insulated Heat Exchanger Cabinet |
| EcoNet® Thermostat Connections | Two Speed Heating |
| Electronic Air Cleaner Connections | |

¹When used with EcoNet® Smart Thermostat only

²When connected to three-speed or modulating AC/HP product

Physical Data and Specifications U.S. and Canadian Models

| MODEL NUMBERS | R962V0403 A17M4SCAP | R962V0603 A17M4SCAP | R962V0703 A17M4SCAP | R962V0705 A21M4SCAP | R962V0855 A21M4SCAP | R962V1005 A21M4SCAP | R962V1155 A24M4SCAP |
|--|-------------------------|-------------------------|-------------------------|------------------------|------------------------|------------------------|------------------------|
| HIGH FIRE INPUT BTU/HR [kW] ① | 42,000 [12.31] | 56,000 [16.41] | 70,000 [20.50] | 70,000 [20.50] | 84,000 [24.61] | 98,000 [28.72] | 112,000 [32.82] |
| LOW FIRE INPUT | 29,400 [8.61] | 39,200 [11.49] | 49,000 [14.36] | 49,000 [14.36] | 58,800 [17.23] | 68,600 [20.11] | 78,400 [23.00] |
| HEATING CAPACITY BTU/HR [kW] | 41,000 [12.02] | 55,000 [16.12] | 68,000 [19.93] | 68,000 [19.93] | 82,000 [24.03] | 95,000 [27.84] | 109,000 [31.94] |
| HIGH ALTITUDE OUTPUT 10% DERATE [kW] ② | 36,288 [10.64] | 48,384 [14.18] | 60,480 [17.72] | 60,480 [17.72] | 72,756 [21.27] | 84,672 [24.81] | 96,768 [28.36] |
| BLOWER (D x W) [mm] | 11 x 7 [279 x 178] | 11 x 8 [279 x 203] | 11 x 8 [279 x 203] | 11 x 10 [279 x 254] | 11 x 10 [279 x 254] | 11 x 10 [279 x 254] | 11 x 11 [279 x 279] |
| MOTOR H.P. [W]– TYPE | 1/2 [373] VS-CT(ECM) | 1/2 [373] VS-CT(ECM) | 1/2 [373] VS-CT(ECM) | 1 [746] VS-CT(ECM) | 1 [746] VS-CT(ECM) | 1 [746] VS-CT(ECM) | 1 [746] VS-CT(ECM) |
| MIN. CIRCUIT AMPACITY | 9 | 9 | 8 | 15 | 15 | 16 | 15 |
| MIN. OVERLOAD PROTECTION DEVICE | 15 | 15 | 15 | 20 | 20 | 20 | 20 |
| MAX. OVERLOAD PROTECTION DEVICE | 15 | 15 | 15 | 25 | 25 | 25 | 25 |
| MOTOR FULL LOAD AMPS | 5.8 | 5.8 | 5.8 | 11.1 | 11.1 | 11.1 | 11.1 |
| MAXIMUM EXT. STATIC PRESSURE (IN. W.C.) [kPa] | 1.0 [0.25] | 1.0 [0.25] | 1.0 [0.25] | 1.0 [0.25] | 1.0 [0.25] | 1.0 [0.25] | 1.0 [0.25] |
| HEATING HI CFM [L/s] | 990 [468] | 1100 [520] | 1200 [566] | 1375 [649] | 1735 [819] | 1440 [680] | 1650 [779] |
| HEATING LO CFM [L/s] | 870 [411] | 990 [467] | 1030 [486] | 1200 [566] | 1475 [697] | 1250 [590] | 1400 [661] |
| MAX Cooling CFM [L/s] | 1240 [585] | 1240 [585] | 1240 [585] | 1980 [934] | 1980 [934] | 1980 [934] | 1980 [934] |
| MIN Cooling CFM [L/s] | 300 [142] | 300 [142] | 300 [142] | 500 [236] | 500 [236] | 500 [236] | 500 [236] |
| FAN CFM [L/s] | 600 [283] | 600 [283] | 600 [283] | 1000 [472] | 1000 [472] | 1000 [472] | 1000 [472] |
| TEMPERATURE RISE-HIGH FIRE RANGE IN DEGREES °F [°C] | 20 - 50 [11 - 28] | 30 - 60 [17 - 33] | 40 - 70 [22 - 39] | 30 - 60 [17 - 33] | 30 - 60 [17 - 33] | 40 - 70 [22 - 39] | 45 - 75 [25 - 42] |
| TEMPERATURE RISE-LOW FIRE RANGE IN DEGREES °F [°C] | 15 - 45 [8 - 25] | 20 - 50 [11 - 28] | 30 - 60 [17 - 33] | 20 - 50 [11 - 28] | 20 - 50 [11 - 28] | 30 - 60 [17 - 33] | 35 - 65 [19 - 36] |
| APPROX. SHIPPING WEIGHT (LBS.) [kg] | 123 [56] | 128 [58] | 133.5 [61] | 146.5 [66] | 150 [68] | 155 [70] | 190 [86.2] |
| AFUE ③ | 96.00% | 96.00% | 96.00% | 96.00% | 96.00% | 96.00% | 96.00% |

NOTES: All models are 115V, 60HZ, 1 phase. Gas connection size for all models is 1/2" [13 mm] N.P.T.

① Installation instructions for high altitude derate.

② Canadian installations only.

③ In accordance with D.O.E. test procedures.

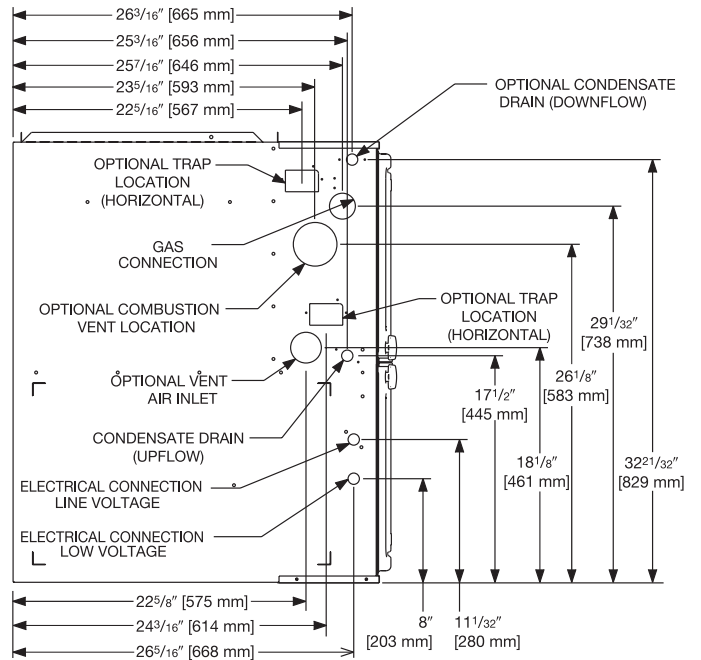
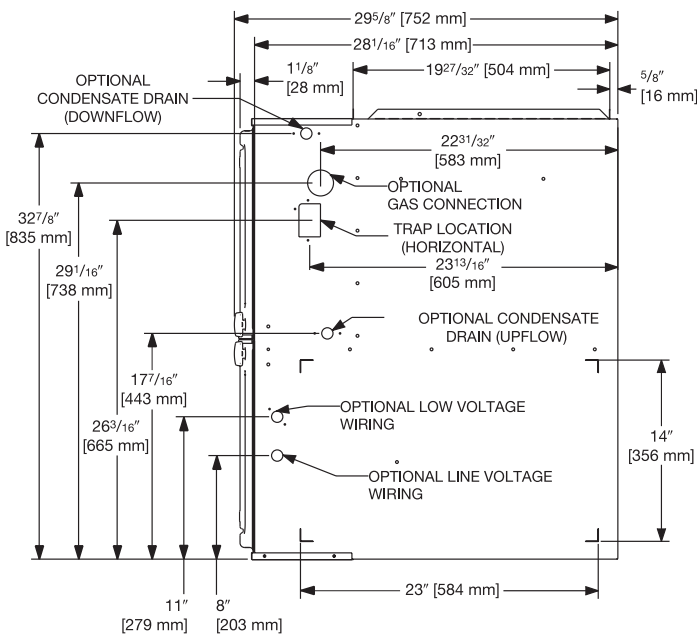
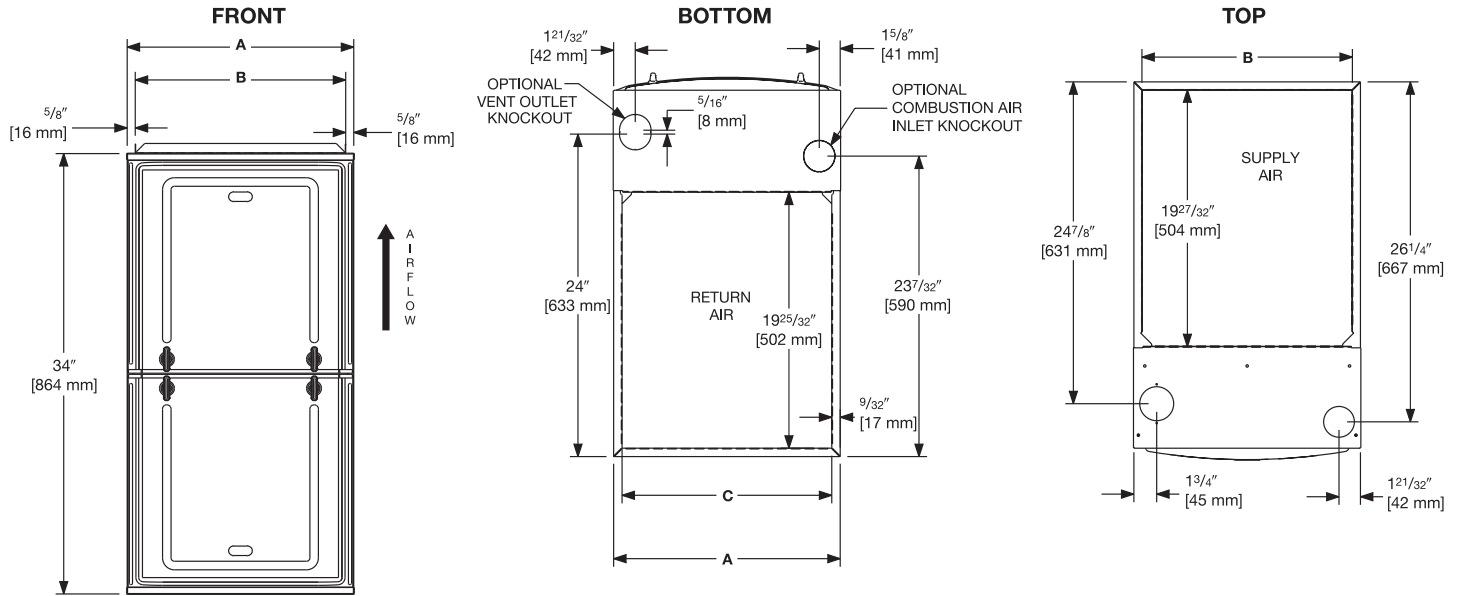
NOTE: Standard model complies with California low NOx requirements up to 40ng/J.

This furnace does not meet air district requirements of 14 ng/J NOx emissions limit, and thus is subject to a mitigation fee of up to \$450.

This furnace is to be installed for propane firing only in air districts requiring 14 ng/J NOx emission limits. Operating in natural gas mode is in violation of these Rules.

[] Designates Metric Conversions

Multi-Position Application



RIGHT SIDE

LEFT SIDE

Unit Dimensions (Clearance to Combustibles)

| MODEL R962V | LEFT SIDE | MINIMUM CLEARANCE (IN.) [mm] | | | | | FLANGE DIMENSIONS | | |
|----------------|-----------|------------------------------|------|--------|--------|------|-------------------|----------------|----------------|
| | | RIGHT SIDE | BACK | TOP | FRONT | VENT | A | B | C |
| 040 | 0 | 0 | 0 | 1 [25] | 2 [51] | 0 | 17 1/2 [445] | 16 17/64 [413] | 16 13/64 [412] |
| 060 | 0 | 0 | 0 | 1 [25] | 2 [51] | 0 | 17 1/2 [445] | 16 17/64 [413] | 16 13/64 [412] |
| 070 | 0 | 0 | 0 | 1 [25] | 2 [51] | 0 | 17 1/2 [445] | 16 17/64 [413] | 16 13/64 [412] |
| 070 (wide) | 0 | 0 | 0 | 1 [25] | 2 [51] | 0 | 21 [533] | 19 49/64 [502] | 19 45/64 [500] |
| 085 | 0 | 0 | 0 | 1 [25] | 2 [51] | 0 | 21 [533] | 19 49/64 [502] | 19 45/64 [500] |
| 100 | 0 | 0 | 0 | 1 [25] | 2 [51] | 0 | 21 [533] | 19 49/64 [502] | 19 45/64 [500] |
| 115 | 0 | 0 | 0 | 1 [25] | 2 [51] | 0 | 24 1/2 [662] | 23 17/63 [591] | 23 13/64 [589] |

[] Designates Metric Conversions

Blower Performance Data

| TARGET GAS HEATING AIRFLOWS | | | | | | | |
|---------------------------------------|------------------------|------------------------|------------------------|------------------------|------------------------|------------------------|------------------------|
| | R962V0403 A17M4*CAP | R962V0603 A17M4*CAP | R962V0703 A17M4*CAP | R962V0705 A21M4*CAP | R962V0855 A21M4*CAP | R962V1005 A21M4*CAP | R962V1155 A24M4*CAP |
| Furnace Lo Heat CFM A (factory) | 870 [411] | 990 [467] | 1030 [486] | 1200 [566] | 1475 [697] | 1250 [590] | 1400 [661] |
| Furnace Lo Heat CFM B (side return) | 870 [411] | 1070 [505] | 1156 [445] | 1375 [649] | 1593 [782] | 1426 [673] | 1512 [714] |
| Furnace Lo Heat CFM C (Approx. +7°F) | 783 [370] | 872 [412] | 942 [445] | 1080 [510] | 1298 [613] | 1162 [549] | 1260 [595] |
| Furnace Lo Heat CFM D (Approx. +12°F) | 722 [341] | 802 [379] | 867 [409] | 996 [470] | 1195 [564] | 1070 [505] | 1162 [548] |
| Furnace Hi Heat CFM A (factory) | 990 [468] | 1100 [520] | 1200 [566] | 1375 [649] | 1735 [819] | 1440 [680] | 1650 [779] |
| Furnace Hi Heat CFM B (side return) | 990 [468] | 1188 [561] | 1296 [612] | 1550 [732] | 1874 [884] | 1691 [798] | 1800 [850] |
| Furnace Hi Heat CFM C (Approx. +7°F) | 891 [421] | 990 [468] | 1080 [510] | 1170 [553] | 1562 [797] | 1409 [665] | 1485 [701] |
| Furnace Hi Heat CFM D (Approx. +12°F) | 822 [388] | 913 [431] | 996 [470] | 1079 [510] | 1441 [680] | 1299 [614] | 1370 [647] |

[] Designates Metric Conversions

Vent Termination Kits: =

RXGY-E02: Vertical/Horizontal Concentric Vent Termination Kit 2" Pipe (US Only)

RXGY-E02A: Vertical/Horizontal Concentric Vent Termination Kit 2" Pipe (US & Canadian)

RXGY-E03: Vertical/Horizontal Concentric Vent Termination Kit 3" Pipe (US Only)

RXGY-E03A: Vertical/Horizontal Concentric Vent Termination Kit 3" Pipe (US & Canadian)

RXGY-G02: Direct Vent Furnace Side Wall Vent 2" or 3" (US Only)

RXGY-D05: Combustion Air Drain Kit 2"

RXGY-D06: Combustion Air Drain Kit 3"

NEUTRALIZER KIT: RXGY-A01
(Replacement Cartridge 54-22120-01)

FOSSIL FUEL KIT: RXPf-F01, RXPf-F02 (TVA)

EXTERNAL BOTTOM FILTER (UPFLOW/HORIZONTAL) RACK:
RXGF-CB

EXTERNAL SIDE (UPFLOW) FILTER RACK: RXGF-CD

EXTERNAL (DOWNFLOW) FILTER RACK: RXGF-CC

For High Altitudes:

NOTE: For Canadian installations only, an optional derate (manifold gas pressure reduction) method may be used to adjust the furnace for altitude. See Installation Instructions for more information. This optional method may **NOT** be used for U.S. installations. See installation instructions as appropriate orifice change is required.

L.P. CONVERSION KIT: RXGJ-FP34

CONDENSATE PUMP KIT: PROSTOCK & 1PCB151TUL

DOWNFLOW/HORIZONTAL CONVERSION KIT: RXGY-CK

DOWNFLOW/HORIZONTAL LEFT ZERO CLEARANCE CONVERSION KIT: RXGY-ZK

COMBUSTIBLE FLOOR BASE: RXGC-B17
RXGC-B21
RXGC-B24

[] Designates Metric Conversions

| FILTER RACK FILTER SIZES* INCHES [mm] | | | |
|---------------------------------------|--|--|------------------------|
| MODEL | RXGF-CB (UPFLOW/ HORIZONTAL) | RXGF-CD (UPFLOW) | RXGF-CC (DOWNFLOW) |
| R962V040 | 15 ³ / ₄ x 25 [400 x 635] | 15 ³ / ₄ x 25 [400 x 635] | 12 x 20 [305 x 508] |
| R962V060 | 15 ³ / ₄ x 25 [400 x 635] | 15 ³ / ₄ x 25 [400 x 635] | 12 x 20 [305 x 508] |
| R962V070 | 15 ³ / ₄ x 25 [400 x 635] | 15 ³ / ₄ x 25 [400 x 635] | 12 x 20 [305 x 508] |
| R962V070 (wide) | 19 ¹ / ₄ x 25 [489 x 635] | 15 ³ / ₄ x 25 [400 x 635] | 12 x 20 [305 x 508] |
| R962V085 | 19 ¹ / ₄ x 25 [489 x 635] | 15 ³ / ₄ x 25 [400 x 635] | 12 x 20 [305 x 508] |
| R962V100 | 19 ¹ / ₄ x 25 [489 x 635] | 15 ³ / ₄ x 25 [400 x 635] | 12 x 20 [305 x 508] |
| R962V115 | 22 ³ / ₄ x 25 [578 x 635] | 15 ³ / ₄ x 25 [400 x 635] | 14 x 20 [356 x 508] |

*Filter racks are shipped without filters.
Filters shipped with furnace may be used or a suitable 1" [25.4 mm] filter.

Indoor Coil Casings

| MODEL NUMBER |
|-----------------|
| RXBC-D17A1 |
| RXBC-D21A1 |
| RXBC-D21B1 |
| RXBC-D24A1 |



THE ECONET® SMART THERMOSTAT

BUILT-IN WIFI

4.3" LCD TOUCH SCREEN

LOCAL WEATHER – Current conditions plus 6-day forecast

5 OPERATING MODES – Heat, Cool, Auto, Emergency Heat and Fan Only

7-DAY PROGRAMMABLE SCHEDULE – Offers comfort without thought

ONE-TOUCH AWAY – Quickly switch to your energy-saving away preferences

VACATION SCHEDULING – Allows you to save while you're away and come home to comfort

STANDBY SCREEN – Displays indoor temperature and current weather



RETST800SYS

OPERATIONAL FEATURES

AUTOMATIC CHANGEOVER – Transitions between heating and cooling automatically to keep the house comfortable

INTEGRATED WATER CONTROL – Enables easy water heater management

SMOOTH ARRIVAL – Prompts the system to start ahead of schedule to ensure the home is at the desired temperature at the scheduled time

HUMIDITY CONTROL – Supports humidifier accessories or over-cool based dehumidification

DETAILED OPERATING STATUS – View pertinent equipment status information and run times

CONTINUOUS FAN – Offers 5 speeds (Low, Medium Low, Medium, Medium High, High)

SHORT-CYCLE PROTECTION – Avoids damage to equipment from short run cycles

MONITORING & REMOTE CONTROL FEATURES

ACTIVE MONITORING – Alerts to problems that need immediate attention

REMOTE CONTROL – Allows adjusting of comfort and settings from anywhere using a mobile device

SERVICE ALERTS – Sends routine maintenance reminders

AIR FILTER MONITORING – Detects when it's time to replace the air filter

ALARM HISTORY – Displays time-stamped alarm codes with clear descriptions



The new degree of comfort.®

GENERAL TERMS OF LIMITED WARRANTY*

Rheem will furnish a replacement for any part of this product which fails in normal use and service within the applicable period stated, in accordance with the terms of the limited warranty.

***For complete details of the Limited and Conditional Warranties, including applicable terms and conditions, contact your local contractor or the Manufacturer for a copy of the product warranty certificate.**

| | |
|--|------------------|
| Conditional Unit Replacement (Registration Required)..... | Ten (10) Years |
| Heat Exchanger..... | Limited Lifetime |
| Parts | Ten (10) Years |

Before proceeding with installation, refer to installation instructions packaged with each model, as well as complying with all Federal, State, Provincial, and Local codes, regulations, and practices.

© 2023 Rheem Manufacturing Company. Rheem trademarks owned by Rheem Manufacturing Company.

In keeping with its policy of continuous progress and product improvement, Rheem reserves the right to make changes without notice.

Rheem Heating, Cooling & Water Heating • 5600 Old Greenwood Road
Fort Smith, Arkansas 72908 • www.rheem.com

Rheem Canada Ltd./Ltée • 125 Edgeware Road, Unit 1
Brampton, Ontario • L6Y 0P5 • rheem.ca